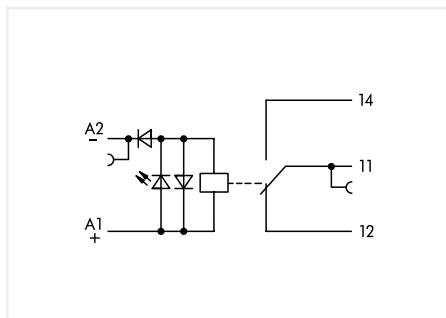


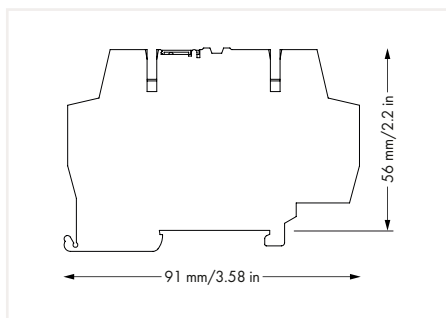
Relay Module

859 Series

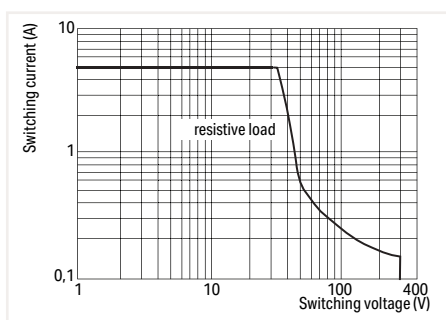


Relay Module; 1 changeover contact; Limiting continuous current: 5 A; Status indicator: red; 6 mm wide

U_N	I_N	Item No.	Pack. Unit
5 VDC	31 mA	859-302	10
12 VDC	17 mA	859-303	10
24 VDC	10 mA	859-304	10
48 VDC	6.5 mA	859-305	10
110 VDC	3.5 mA	859-307	10
220 VDC	3.2 mA	859-308	10



Note:
To protect the relay coils and contacts, inductive loads must be dampened with an effective protection circuit.



DC Load Limit Curve

Control Circuit

Input voltage range	-15 ... +20 %
---------------------	---------------

Load Circuit

Number of changeover/switchover contacts	1
Contact material	AgSnO ₂
Limiting continuous current	5 A
Inrush current (resistive) max.	20 A (AC) / 20 ms
Switching voltage (max.)	250 VAC
Switching power (resistive) max.	1250 VA (AC); DC see load limit curve
Recommended minimum load	10 V / 10 mA; 24 V / 1 mA
Pull-in time (typ.)	15 ms
Drop-out time (typ.)	25 ms
Bounce time (typ.)	3.5 ms
Electrical life (NO; resistive load; 23 °C)	50 x 10 ³ switching operations
Mechanical life	5 x 10 ⁶ switching operations
Switching load with/without load (max.)	6 min ⁻¹ / 180 min ⁻¹

Signaling

Status indicator	Red LED
------------------	---------

Safety and Protection

Rated voltage	250 V
Rated surge voltage	4 kV
Pollution degree	2
Dielectric strength, control/load circuit (AC, 1 min)	4 kV _{rms}
Dielectric strength, open contact (AC, 1 min)	1 kV _{rms}

Connection Data

Connection technology	CAGE CLAMP®
Solid conductor	0.08 ... 2.5 mm ² / 28 ... 14 AWG
Fine-stranded conductor	0.08 ... 2.5 mm ² / 28 ... 14 AWG
Strip Length	5 ... 6 mm / 0.2 ... 0.24 inch

Physical Data

Width	6 mm / 0.236 inch
Height from upper-edge of DIN-rail	56 mm / 2.205 inch
Depth	91 mm / 3.583 inch

Mechanical Data

Mounting type	DIN-35 rail
---------------	-------------

Material Data

Weight	22.2 g
--------	--------

Environmental Requirements

Surrounding air temperature (operation at U_N)	-40 ... +50 °C
Surrounding air temperature (storage)	-40 ... +70 °C
Processing temperature	-25 ... +50 °C

Standards and Specifications

Standards/specifications	EN 61010-2-201; EN 61810-1; EN 61373; GL; UL 508
--------------------------	--